



FEATURES:

- 20" Supply & Return Duct Collars with Protective Covers
- 20" Reactivation Inlet & Outlet Duct Collars with Protective Covers
- Weatherproof Construction – Stainless Steel with double wall insulated cabinet
- Fork tube pocket base
- Desiccant wheel with drive system
- Full perimeter chain drive with lifetime rating
- Viton wiper seals with a 10-year rating
- Backward incline non-overloading fans – Process Air
- Power connection Cam style locks for easy field connection
- Tooled access doors
- Gas Pressure Gauges for inlet and operating pressure
- Hour Meter
- Phase monitor protection
- Operation and Fault Indicator Lights
- Circuit breaker protection for all motors
- NEMA 3R Electrical control panel
- Variable Frequency Drive (VFD)
- Remote Humidistat Ready Plug
- Replaceable filter 2" 30% MERV 8
- Design that allows for shipping of 4 units on one truck
- Structurally Certified Protective/Stacking Cage (bolted)

OPTIONS:

- Remote Humidistat (with 50' of cord)
- Supply & Return Ducting
- Reactivation Inlet & Outlet Ducting
- Ducting Accessories
- 100' of 4/0 Power Cable Kit
- Lay Flat (Clear)

ETL CERTIFICATION

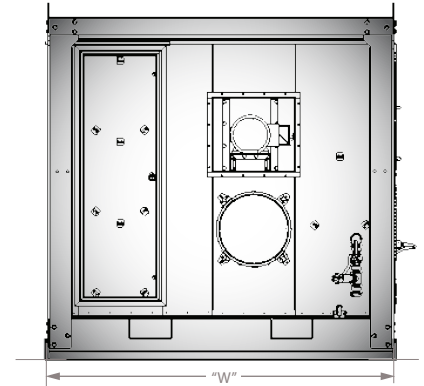
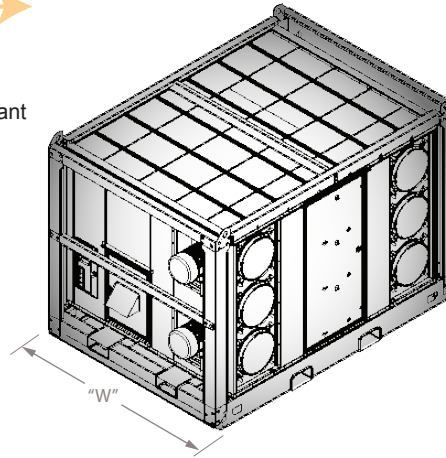
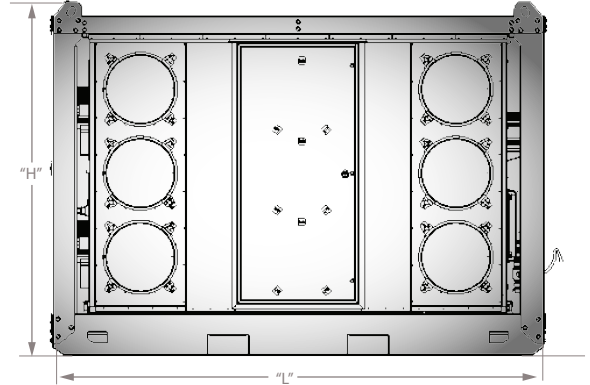
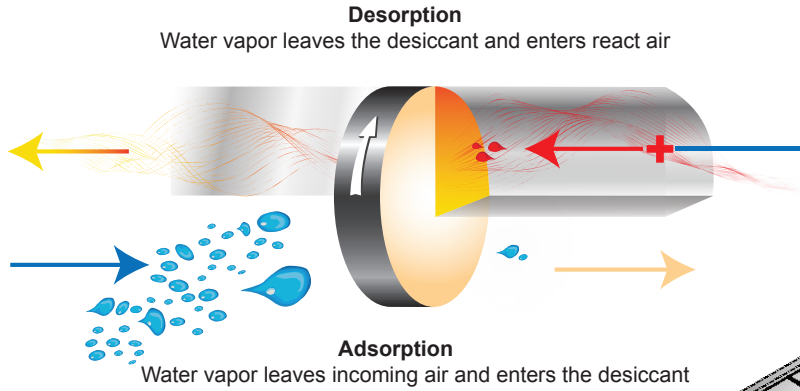
- UL1995/CSA C22.2 No. 236





ACTIVE DESICCANT TECHNOLOGY

Provides 40°F + dew point reduction as both adsorption and desorption are simultaneously driven by water vapor equilibrium of air and desiccant.



Technical Specifications*

	Product	MS-18000/15000	
Unit Physical Data			
Length (L)	[in]	141	
Width (W)	[in]	101.13	
Height (H)	[in]	99.5	
Approximate Unit Weight	[lb]	8,900	
Utility Data			
		<i>Electric</i>	<i>Gas</i>
FLA React Heater Load	[amps]	251	0
FLA	[amps]	305.1	54.1
MCA	[amps]	381.4	64.6
MOP	[amps]	400	75
Voltage Options			
Electric Reactivation	[V/PH]	460/3	
Supply Air Data			
Process Air Volume	[scfm]	18,000	15,000
External Static Pressure	[in W.C.]	0	6
Reactivation Air Data			
Reactivation Air Volume	[scfm]	4,278	
External Static Pressure	[in W.C.]	0.5	
Generator Size			
		<i>Electric</i>	<i>Gas</i>
Minimum	[kw]	400	28
Gas Sizing			
Pipe Size, NPT	[in]	1 1/2	
Gas Inlet Pressure	[in W.C.]	7-14	
Gas Max Usage NG	[MBTUH]	1100	
Gallons/HR Max Usage LP	[Gal/hr]	12	
Propane Tank Size			
Minimum	[gallons]	1000	

Moisture Removal Capacity

Entering Air Dry Bulb (°F)	Nominal Moisture Removal (lb/hr)					
	Entering Air Relative Humidity (%)					
	80	70	60	50	40	30
80	477	445	401	352	297	236
75	473	435	391	340	286	225
70	459	417	372	324	269	209
65	434	393	348	300	247	189
60	402	362	319	272	221	167
55	366	326	284	240	194	145
50	323	286	247	207	166	123
45	279	245	210	176	140	106
40	236	206	177	147	116	86

Entering Air Dry Bulb (°F)	Nominal Moisture Removal (Gallon/Day)					
	Entering Air Relative Humidity (%)					
	80	70	60	50	40	30
80	1364	1273	1147	1007	849	675
75	1353	1244	1118	972	818	644
70	1313	1193	1064	927	769	598
65	1241	1124	995	858	706	541
60	1150	1035	912	778	632	478
55	1047	932	812	686	555	415
50	924	818	706	592	475	352
45	798	701	601	503	400	303
40	675	589	506	420	332	246

*Actual weight and dimensions to be provided at time of quotation and submittal.

Continual engineering and research for product improvement may result in design and specification changes. Consult sales for certified technical data.

